

Description

- Cartridge Balanced Design
- Monolithic seal face (Special shape design)
- Rotation: CW, CCW
- Single Seal
- Ideal for packing conversion
- Designed and Manufacturer in Toledo-Spain (EU)

Technical Features

- Easy Installation
- Ideal for Standarizations
- Avoid damage during installation
- FLUSH

Materials

- **Rotary Seal:** SiC (SS), SiC-XtraDiamond™ (SD), TC (TN)
- **Stationary Seal:** SiC (SS), SiC-XtraDiamond™ (SD), TC (TN), CAR (CR)
- **Secondary seals:** FKM (V), EPDM (E), FFKM-XtraLast™(K)
- **Springs:** Hastelloy® C-4/C-2/C-276 (M)
- **Metal Parts:** 1.4404-316L (6L)
- *Special Materials under request*

Performance Capabilities

- **Sizes:** from 25mm up to 70mm
- **Temperature:** from -40°C to +280°C (depending O-Ring resistance)
- **Pressure:** up to 25bar (depending PV Factor)
- **Speed:** up to 16m/s (depending PV Factor)
- **Ready for API Plan:** 11/13/21/31/32

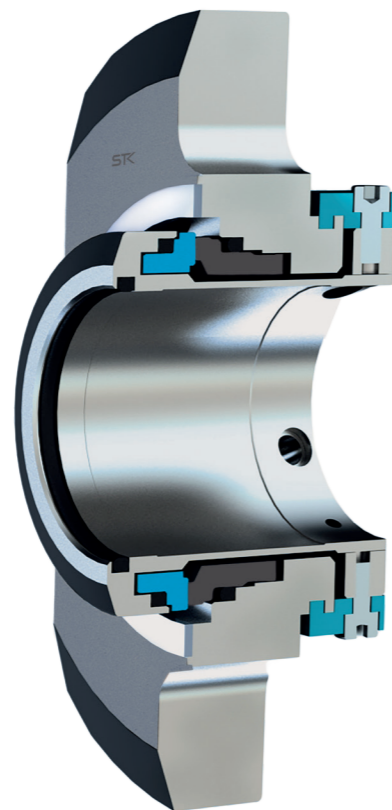
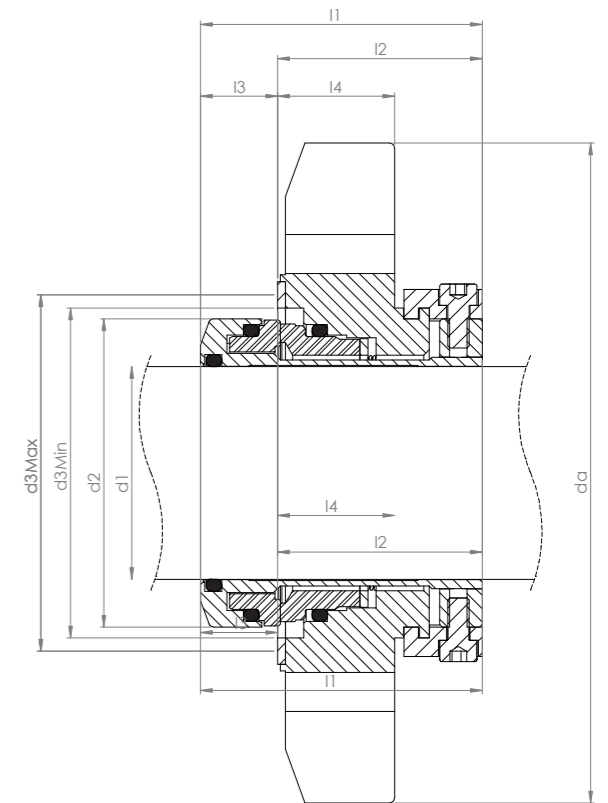
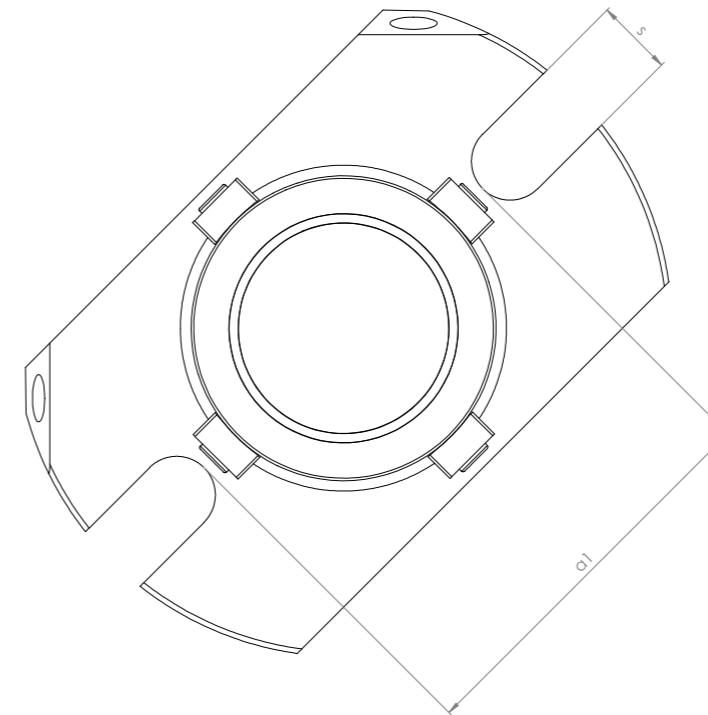
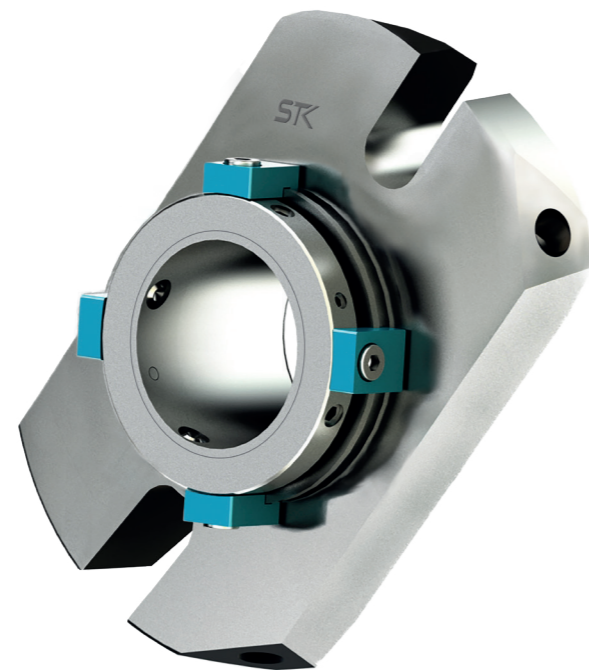
Standards

COMPANY WITH MANAGEMENT SYSTEM CERTIFIED BY ISO 9001 • ISO 14001
 FDA ATEX
 Manufacturing according ISO 9001/14001
 Optionals: FDA, ATEX, *Others under request*

Industrial Applications

- Chemical Industry
- Food and Beverage Industry
- Petrochemical Industry
- Pharmaceutical Industry
- Water and Waste Water
- Centrifugal Pumps
- Process Pumps

Installation, Details, Options



Dimensional Data in millimeter

d1	d2	d3 min	d3 max	l1	l2	l3	l4	a1	da	s	FLUSH
25	43,00	44,00	51,50	53,00	38,00	15,00	21,50	62,00	104,00	12,50	1/8" NPT
28	46,00	47,00	52,00	53,00	38,00	15,00	21,50	63,00	104,00	12,50	1/8" NPT
30	48,00	49,00	56,00	53,00	38,00	15,00	21,50	65,00	104,00	12,50	1/8" NPT
32	50,00	51,00	57,00	53,00	38,00	15,00	21,50	67,00	104,00	12,50	1/8" NPT
33	50,00	51,00	57,00	53,00	38,00	15,00	21,50	69,00	104,00	12,50	1/8" NPT
35	53,00	54,00	61,50	53,00	38,00	15,00	21,50	70,00	115,00	12,50	1/8" NPT
38	56,00	57,00	66,00	53,00	38,00	15,00	21,50	75,00	125,00	14,70	1/8" NPT
40	58,00	59,00	68,00	53,00	38,00	15,00	21,50	75,00	125,00	14,70	1/8" NPT
42	60,50	61,50	70,50	53,00	38,00	15,00	21,50	79,00	133,00	14,70	1/8" NPT
43	60,50	61,50	70,50	53,00	38,00	15,00	21,50	80,00	133,00	14,70	1/8" NPT
45	62,50	64,00	73,00	53,00	38,00	15,00	21,50	81,00	138,00	14,70	1/8" NPT
48	65,50	67,00	75,00	53,00	38,00	15,00	21,50	84,00	140,00	14,70	1/8" NPT
50	68,00	69,00	78,00	53,00	38,00	15,00	21,50	87,00	140,00	14,70	1/8" NPT
53	72,00	73,00	87,00	53,00	38,00	15,00	21,50	89,00	148,00	17,50	1/8" NPT
55	73,00	74,00	83,00	53,00	38,00	15,00	21,50	90,00	148,00	17,50	1/8" NPT
58	76,00	77,00	86,00	53,00	38,00	15,00	21,50	95,00	155,00	17,50	1/8" NPT
60	78,00	79,00	91,00	53,00	38,00	15,00	21,50	100,00	157,00	17,50	1/8" NPT
63	81,00	82,00	94,00	53,00	38,00	15,00	21,50	103,00	160,00	17,50	1/8" NPT
65	84,80	86,00	98,50	53,00	38,00	15,00	21,50	105,00	163,00	17,50	1/8" NPT
68	88,00	89,00	101,50	53,00	38,00	15,00	21,50	110,00	170,00	17,50	1/8" NPT
70	93,00	95,00	108,00	53,00	38,00	15,00	21,50	118,00	178,00	17,50	1/8" NPT