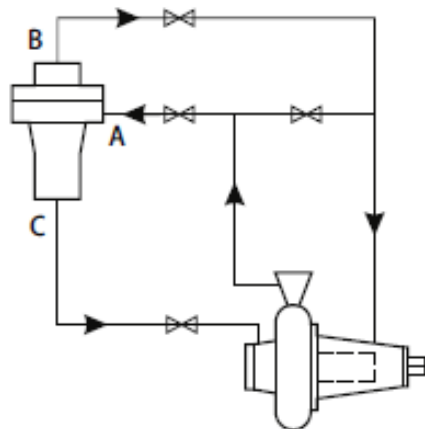
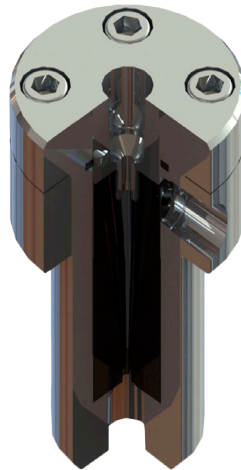
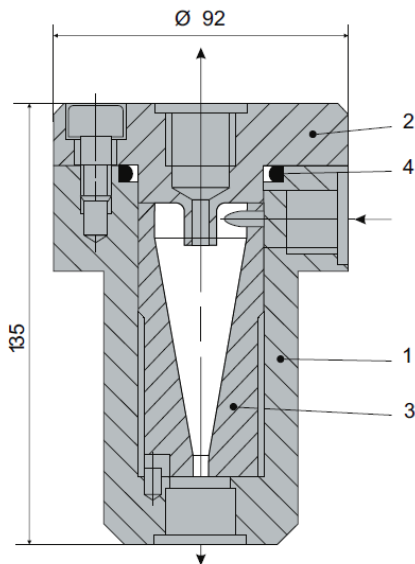


Installation, Details, Options



CS Cyclone Separator

Item	Description
1	Housing
2	Cover
3	Insert
4	O-Ring

Description

- Circulation in accordance with API 682/ ISO 21049:
 - Plan 31
 - Plan 41
- The CS range is available in three basic versions i.e. cyclone separator with replaceable insert made of elastomer or ceramic or cast version of the cyclone separator or cyclone separator for high flow rates and high pressures.

Technical Features

- Available for operating pressures of upto 200 bar. Dirt is automatically conveyed to the suction nozzle of the pump: maintenance-free mode of operation for guaranteed reliability. High filtration efficiency. Optional in block-type design with integrated flange connections: low space requirements because of compact design.
- Wide range of products for the optimum solution for every application.






Functional description

- Cyclone separators of the CS range are used to clean mainly aqueous liquids containing dirt and solids (e.g. in circulation systems of sewage, sludge or pipeline pumps).
- The best possible filtration efficiency is achieved when the specific weight of the solids is much higher than that of the carrier liquid, and when the differential pressure is as large as possible within the permissible pressure range (min. 1.7 bar in accordance with API 682). The viscosity of the medium is also a factor that needs to be taken into account.

Operating and Installation Schematic

- The cyclone separator must always be installed in the vertical position.
- The pressure at the outlets (C) and (B) must be lower than at the inlet (A).
- Cleaned liquid is conveyed to the top (B) and the separated dirt to the suction port of the pump.

Industrial Applications

-  Chemical industry
-  Refining technology
-  Oil and gas industry
-  Petrochemical industry
-  Water and waste water technology

Technical Features

Designation	Tubes
Description	BS
Insert	Ceramic - Elastomer
Allowable pressure ¹⁾	64 bar (928 PSI) - 64 bar (928 PSI)
Allowable temperature ¹⁾	125°C (257°F) - 60°C (140°F)
Connections	G, R, NPT, Flange - G, R, NPT, Flange
Connecting size	1/2" - 1/2"
Housing/cover	1.4571 - 1.4571
O-Ring	Viton® - Viton®

¹⁾ Higher values on request
²⁾ Other materials on request